

CATALOGO DELLE PARTI DI RICAMBIO
IMPIANTI ELETTRICI

SPARE PARTS CATALOGUE
ELECTRIC PLANT

CATALOGUE DE PIECE DETACHEES
INSTALLATION ELECTRIQUE

ERSATZTEILKATALOG
SCHALTPLAN

CATÁLOGO DE REPUESTOS
INSTALACIÓN ELECTRICA

H10

H20

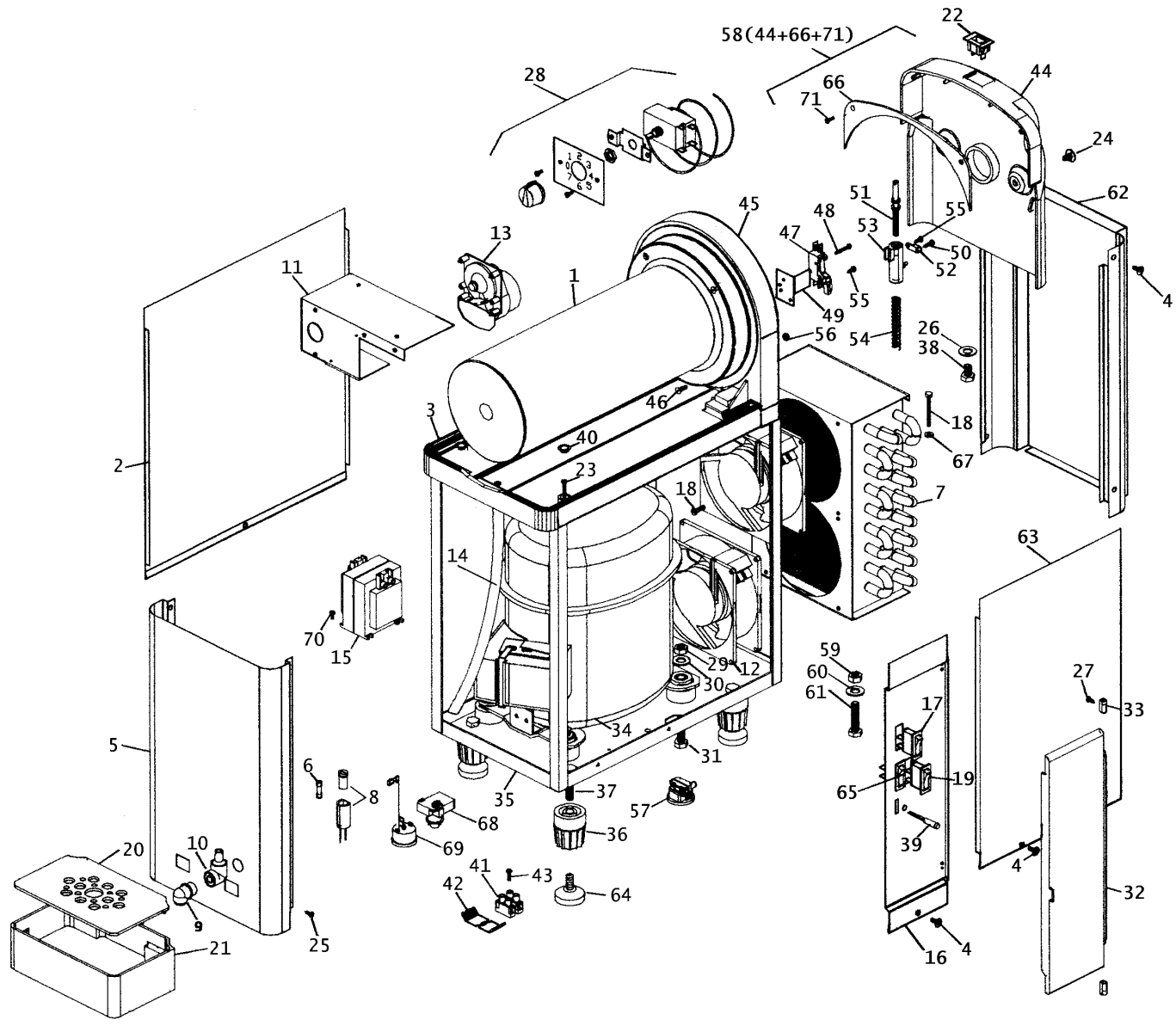
H30

8000141000

TAV.1

POS. COD.	Denomination
1	SL300950585 Full evaporation device
2	SL300951616 Left side panel
3	SL300970010 Upper tray
5	SL300951664 Front panel
6	SL300991149 Output fuse
7	SL300951611 Condenser 3x10
8	SL300901135 Full fuse holder
9	SL300951632 Drain tube connection racor
10	SL300951631 Drain tube connection
11	SL300970081 Thermostat and timer support
12	SL300350188 Motoventilator 120x120 220/50
13	SL300950565 Timer
14	SL300950230 Drainpipe
15	SL300950550 Transformer 20 W. 220V/12V
16	SL300951617 Command side panel
17	SL300951088 Black 20 Amp. switch
19	SL300951089 Black change-over switch
20	SL300950750 Screen for leaking
21	SL300950751 Tray for leaking
22	SL300991881 Light switch cover
28	SL300350467 Full mechanical thermostat
32	SL300951198 Command side panel cover
33	SL300951352 Bolt cover
34	SL300950443 Compressor
35	SL300951624 Full chassis
36	SL300951357 Rubber foot
39	SL300993613 Green pilot light
40	SL300950069 Upper tray top
41	SL300950735 Connection rule PA-44
42	SL300950737 Connection rule complement PA-52
44	SL300950748 Evapor. device support cover
45	SL300950015 Evaporation device support
47	SL300950587 Full miniruptor
49	SL300950997 Miniruptor protector
51	SL300950079 Short regulation rod
52	SL300950072 Holding in place of regulation system
53	SL300950073 Regulation system spring guide
54	SL300950116 Regulation spring
57	SL300500118 Pass cable PA-107
58	SL300951098 Full support cover
62	SL300951618 Back panel
63	SL300951615 Right side panel
64	SL300382015 Rubber foot CE-3326 M8x20
65	SL300951088 Black 20 A. switch
66	SL300950754 Support cover suplement

TAV.1

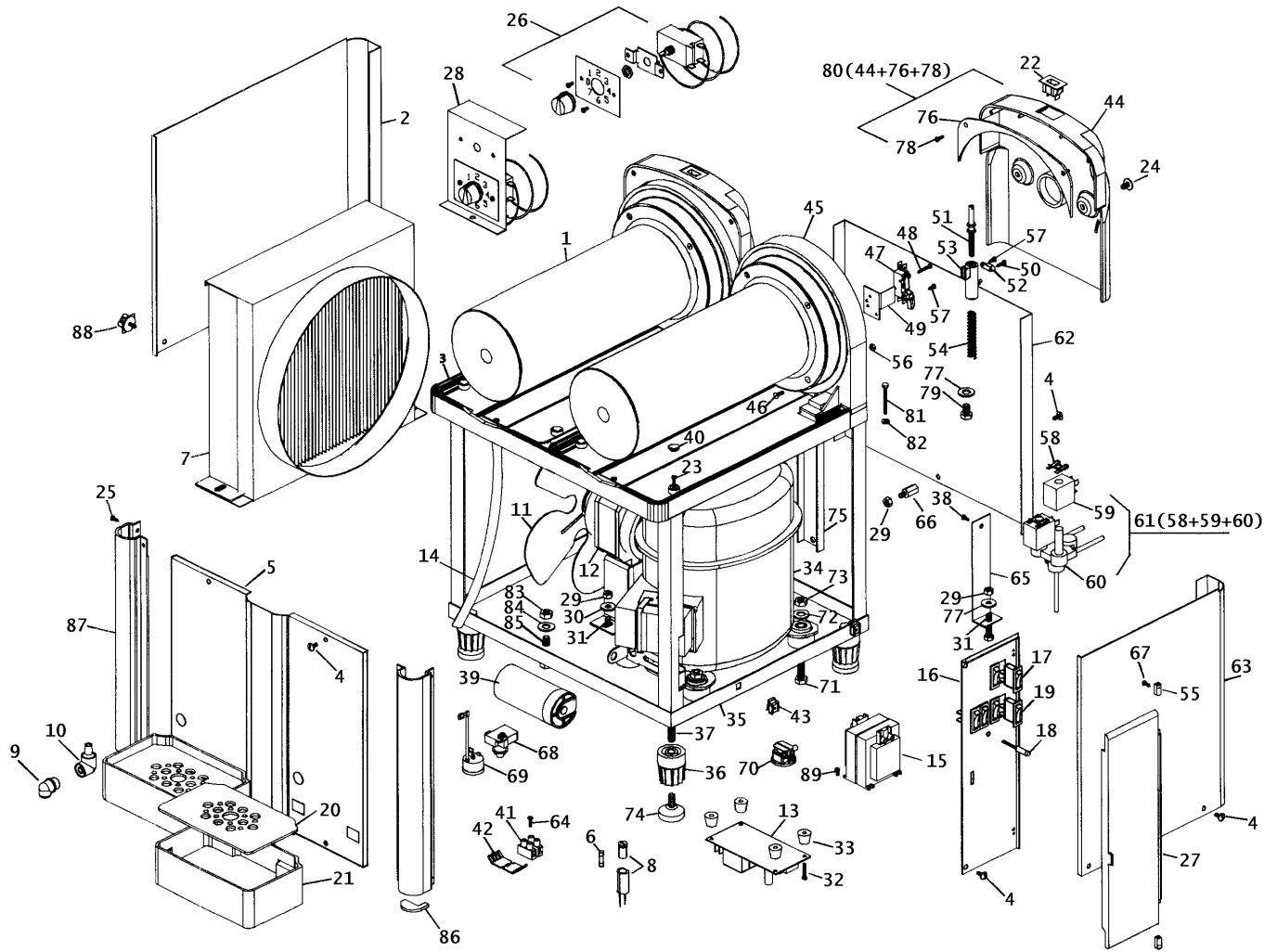


H10

TAV.2

POS. COD.	Denomination
1	SL300950585 Full evaporation device
2	SL300951061 Left side panel
3	SL300970008 Upper tray white
5	SL300951333 Front panel
6	SL300950169 Output fuse
7	SL300951219 Condenser
8	SL300951135 Full fuse holder
9	SL300951632 Drain tube connection racor
10	SL300951631 Drain tube connection
11	SL300996007 Ventilator winding frames Ø 250 x 28°
12	SL300900035 Motoventilator 16 W. 220/50
13	SL300950685 Electronic regulator 220/50
15	SL300951632 Transformer 50 W. 220V-12V.
16	SL300951405 Command side panel
17	SL300951088 Black 20 Amp. switch
18	SL300993613 Green pilot light
19	SL300951089 Black change-over switch
20	SL300950750 Screen for leaking
21	SL300950751 Tray for leaking
22	SL300991881 Light switch cover
26	SL300350467 Full mechanical thermostat
27	SL300951198 Command side panel cover
28	SL300950417 Thermostat support
34	SL300951434 Compressor
35	SL300970098 Full chassis
36	SL300951357 Rubber foot
39	SL300950621 Compressor condenser
40	SL300950069 Upper tray trop
41	SL300950735 Connection rule PA-44
42	SL300950737 Connection rule complement PA-52
43	SL300950568 Special nut N901034 M4
44	SL300950748 Evap.device supp. cover
45	SL300950015 Evaporation device support
47	SL300950587 Full miniruptor
49	SL300950997 Miniruptor protector
51	SL300950079 Short regulation rod
52	SL300950072 Holding in place of regulation system
53	SL300950073 Regulation system spring guide
54	SL300950116 Regulation spring
55	SL300951352 Bolt cover
59	SL300951342 Electrovalve bobbin 220/50
60	SL300970159 Double electrovalve body
61	SL300951230 Full double electrovalve 220/50
62	SL300970055 Back panel
63	SL300950865 Right side panel
65	SL300951101 Double electrovalve support deck
66	SL300950428 Device distancing back panel
70	SL300500118 Pass cable PA-107
75	SL300970028 Central back column
76	SL300950754 Support cover suplement
80	SL300951098 Full support cover
86	SL300950815 Side front trim cover
87	SL300950749 Side front trim

TAV.2

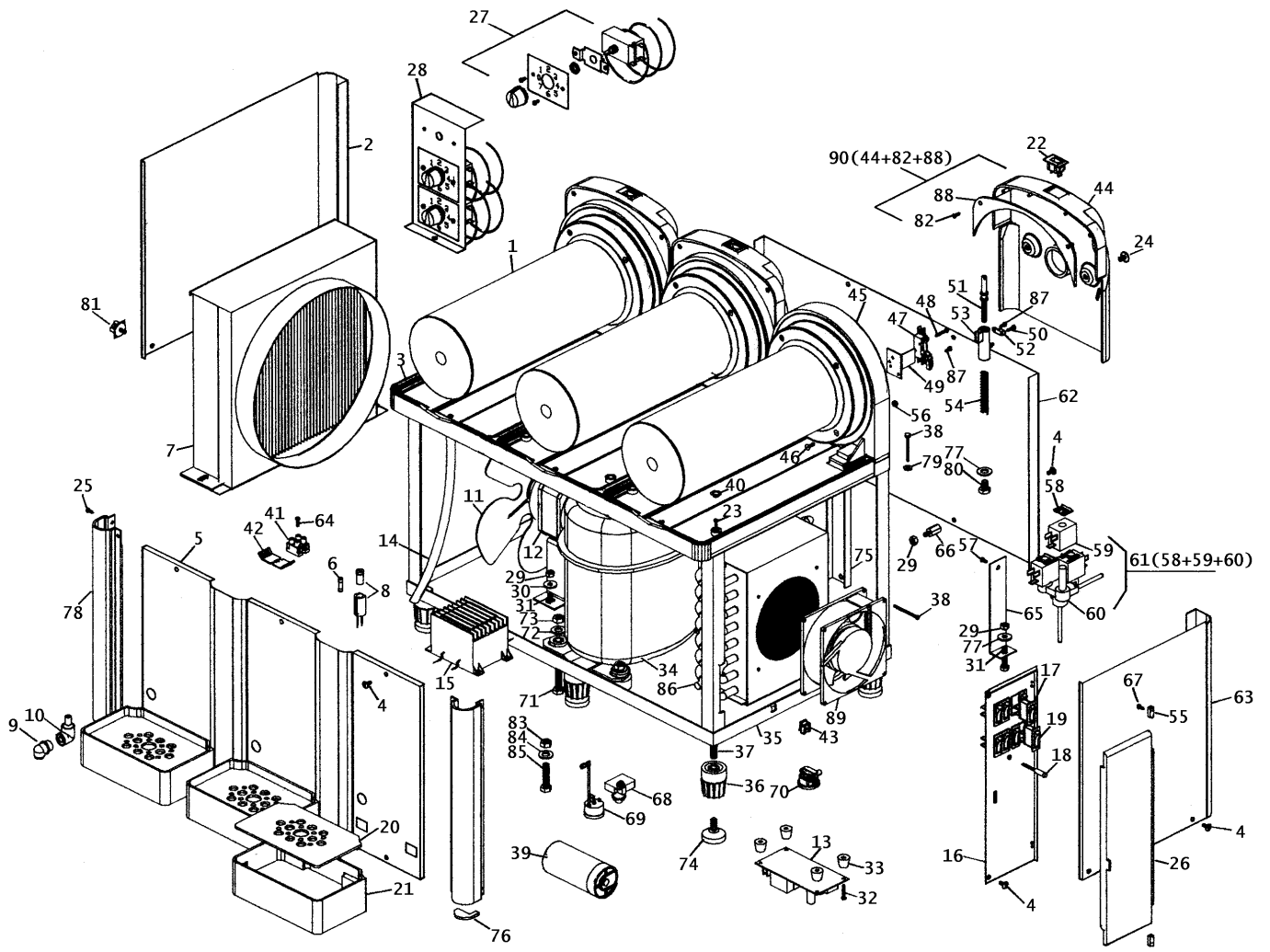


H20

TAV.3

POS. COD.	Denomination
1	SL300950585 Full evaporation device
2	SL300951061 Left side panel
3	SL300970009 Upper tray
5	SL300951334 Front panel
6	SL300950164 Output fuse
7	SL300951219 Condenser
8	SL300901135 Full fuse holder
9	SL300951632 Drain tube connection racor
10	SL300951631 Drain tube connection
11	SL300996007 Ventilator winding frames
12	SL300900035 Motoventilator
13	SL300950685 Electronic regulator
15	SL300951361 Transformer 60 W. 220V-12V
16	SL300951406 Command side panel
17	SL300951088 Black 20 Amp. switch
18	SL300993613 Green pilot light
19	SL300951089 Black switch
20	SL300950750 Screen for leaking
21	SL300950751 Tray for leaking
22	SL300991881 Light switch cover
26	SL300951198 Command side panel cover
27	SL300350467 Full mechanical thermostat
28	SL300950448 Thermostat support
34	SL300951305 Compressor
35	SL300970099 Full chassis
36	SL300951357 Rubber foot
39	SL300951308 Compressor condenser
40	SL300950069 Upper tray tap
41	SL300950736 Connection rule PA-76
43	SL300950568 Special nut N901034 M4
44	SL300950748 Evap. device supp. cover
45	SL300950015 Evaporation device support
47	SL300950587 Full miniruptor
49	SL300950997 Miniruptor protector
51	SL300950079 Short regulation rod
52	SL300950072 Holding in place of regulation system
53	SL300950073 Regulation system spring guide
54	SL300950116 Regulation spring
55	SL300951352 Bolt cover
59	SL300951342 Electrovalve bobbin
60	SL300970157 Triple electrovalve body
61	SL300951231 Full triple electrovalve
62	SL300970057 Back panel
63	SL300950865 Right side panel
65	SL300951101 Double electrovalve support deck
66	SL300950428 Device distancing back panel
75	SL300970028 Central back column
76	SL300950815 Side front trim cover
78	SL300950749 Side front trim
81	SL300970114 Screw grey
86	SL300950361 Condenser
88	SL300950754 Support cover suplement
89	SL300350188 Motoventilator 120x120 220/50

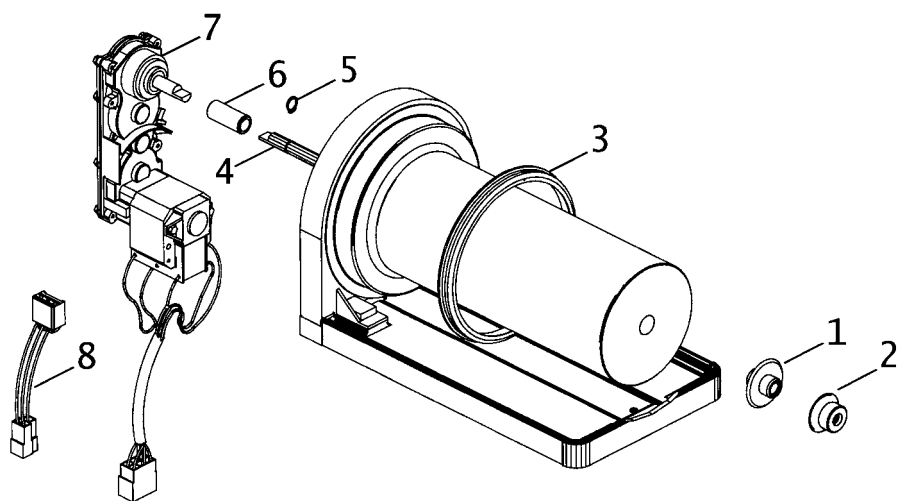
TAV.3



H30

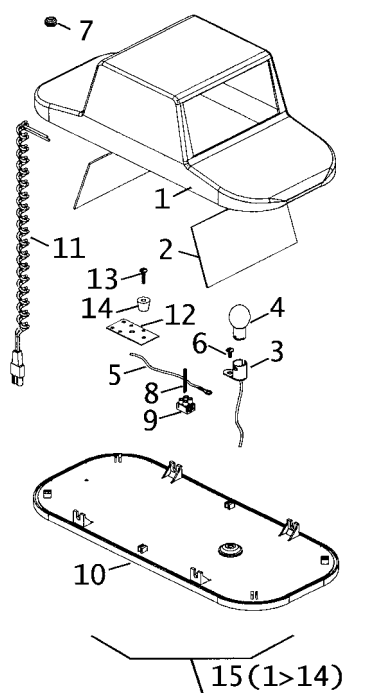
TAV.7

POS.	COD.	Denomination
1	SL300970382	Evaporator guide ring
2	SL300951857	Watertight shaft joint
3	SL300950070	Tank joint
4	SL300950320	Bea3er Drive Shaft
5	SL300950254	Shocket DIN 471 E-12
6	SL300950321	Transmission shaft racor
7	SL300951023	Gear motor
8	SL300951409	Motor connection cable 220 V.



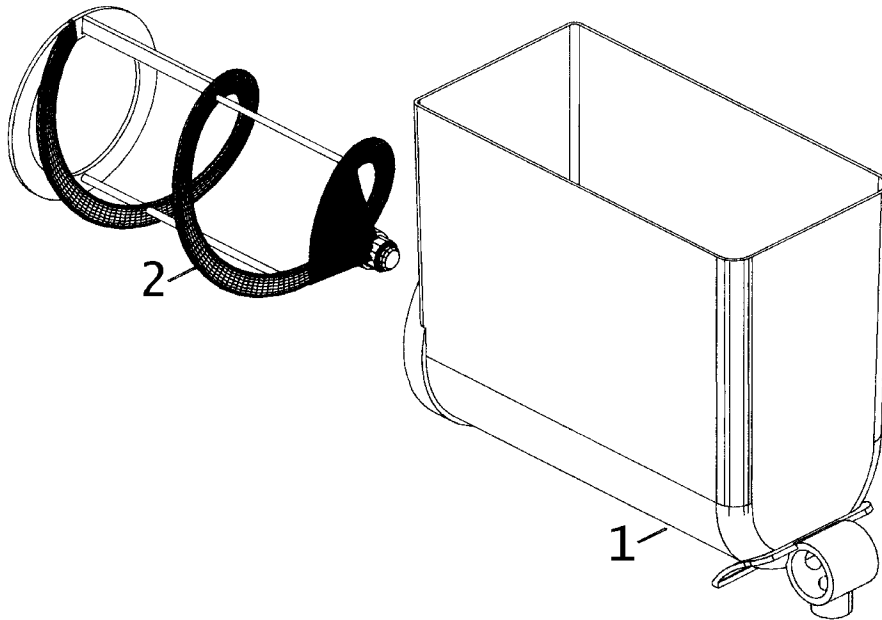
TAV.8

POS.	COD.	Denomination
1	SL300950758	Top cover
2	SL300950504	Transparency cover
3	SL300900029	Lamp holder B-15-S
4	SL300950100	Lamp 21W. 12V.
5	SL300950679	Neutral wire cover
6	SL300950583	Zinc screw DIN 7971 B-3'5x9'5
7	SL300901194	Pass cable
8	SL300310633	Terminal connection block DIN 94 2x25
9	SL300950646	Connection rule Ø4
10	SL300950006	Cover under base
11	SL300950680	Cover cable
12	SL300950350	Lamp holder subjection
13	SL300310157	Zinc screw DIN 84 M4x20
14	SL300950075	Supplement
15	SL300951100	Full tank cover



TAV.9

POS.	COD.	Denomination
1	SL300970001	Tank
2	SL300970005	Spiral shovel



TAV.10

POS.	COD.	Denomination
1	SL300970012	Lever tap
2	SL300970013	Piston tap
3	SL300970002	Gasket tap
4	SL300970040	Spring tap
5	SL300970090	Tap screw

